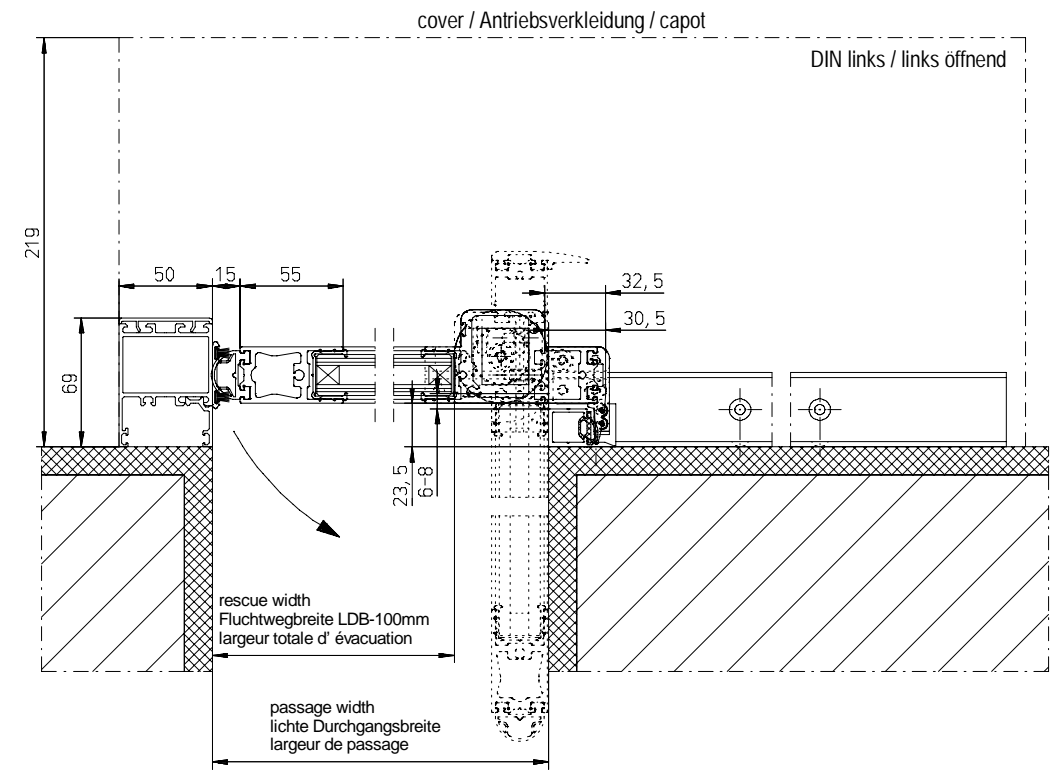
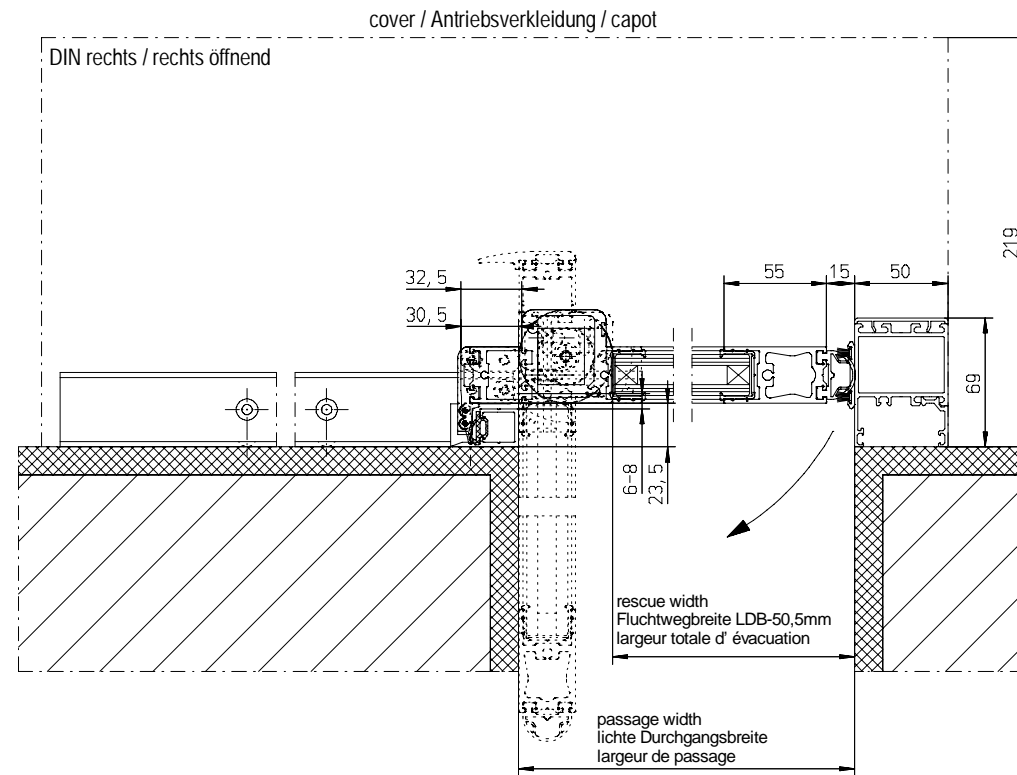
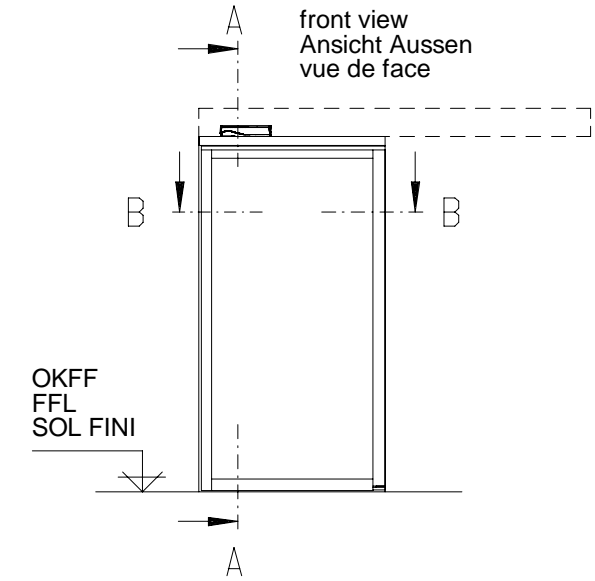
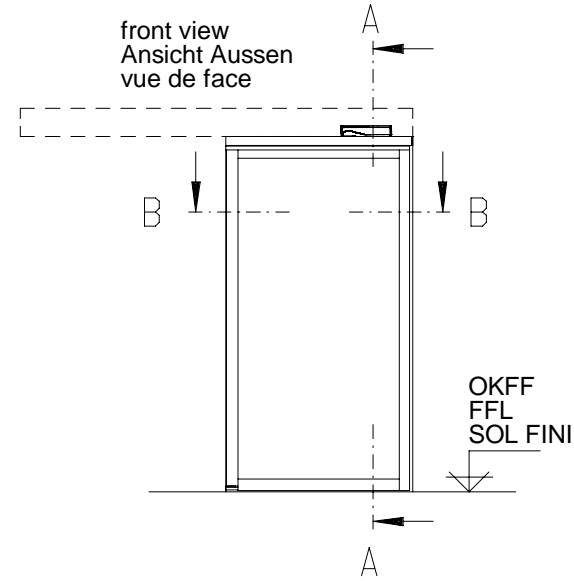
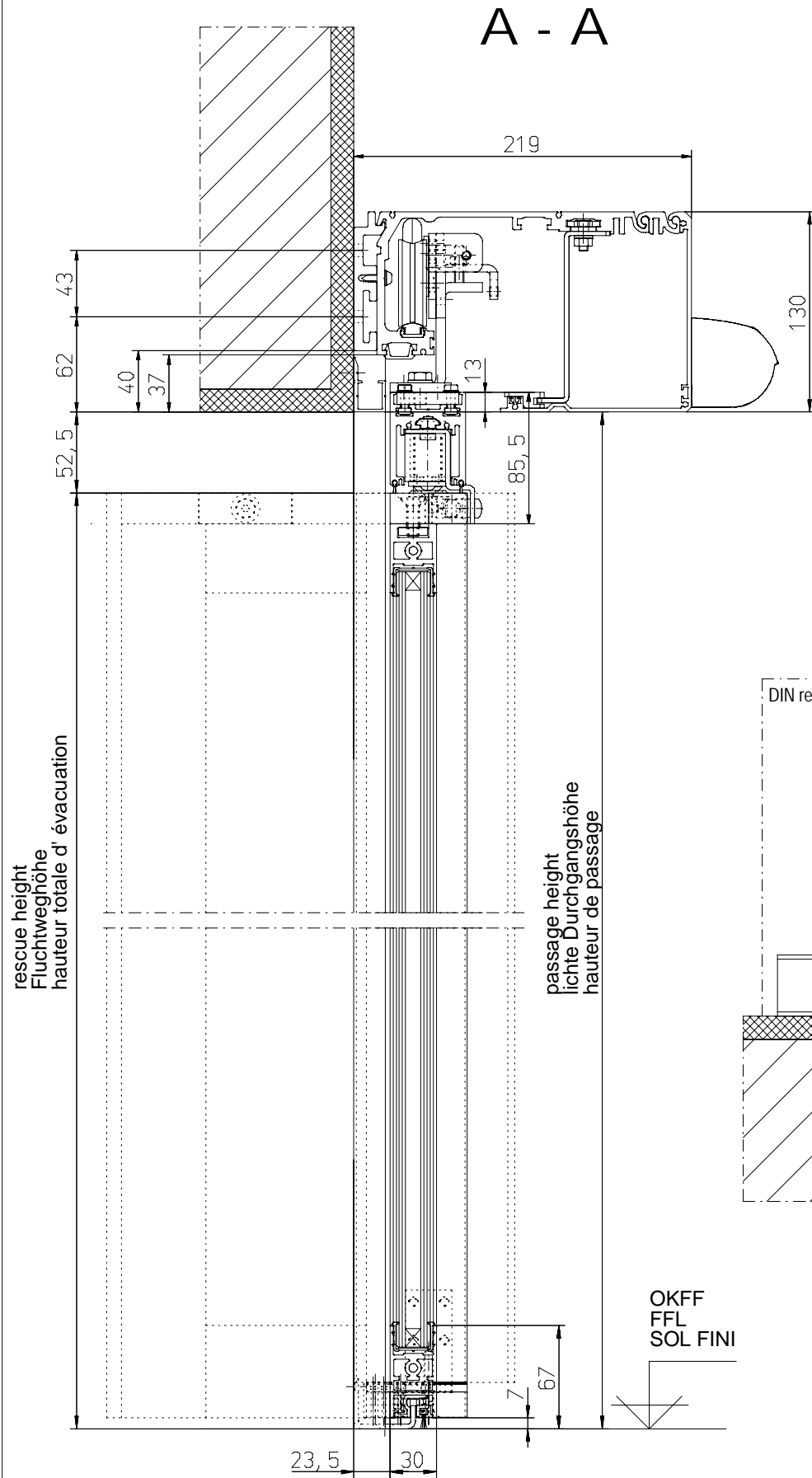


DIN rechts / rechts öffnend

DIN links / links öffnend



Surface treatment	Material	Scale		
Tolerance	Mass Weight (kg)	Part No.	Date	Name
		HM-F-FT-MW	01.12.2020	Januar
Type	Proprietary rights apply in accordance with ISO 10076		Release by	Release by
	Description	Level	Revised	Date
	-Profilsystem G30- 1-flügelig	Drawing No.		Sheet
	-Profile system G30- 1 door leaf	A-9904100		1