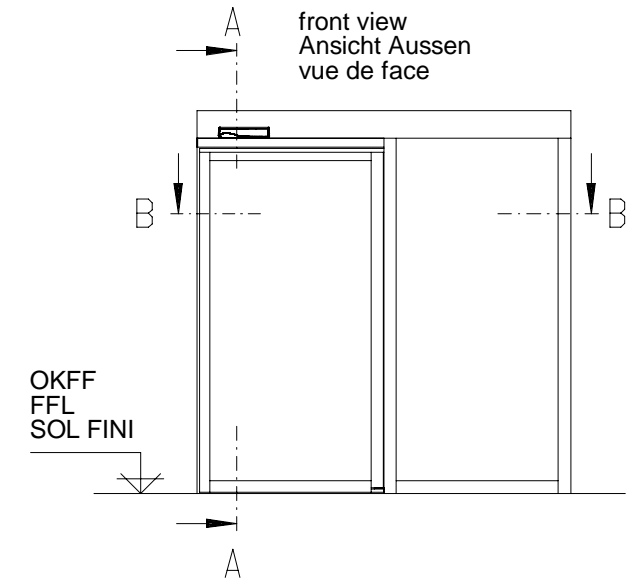
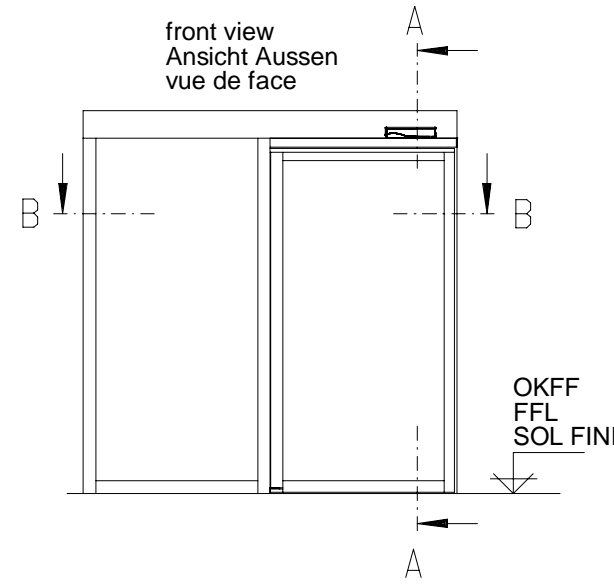
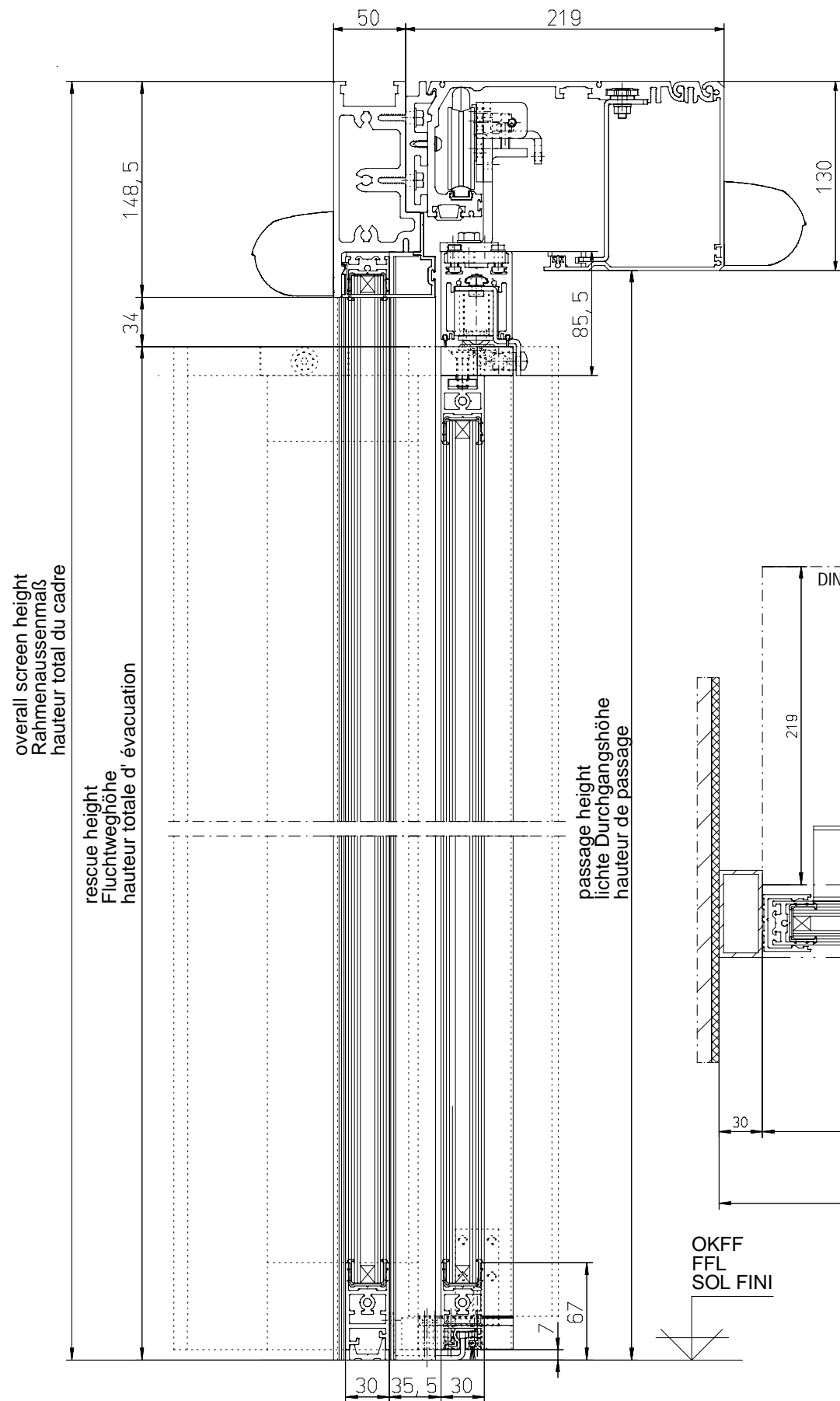


A - A

DIN rechts / rechts öffnend

DIN links / links öffnend

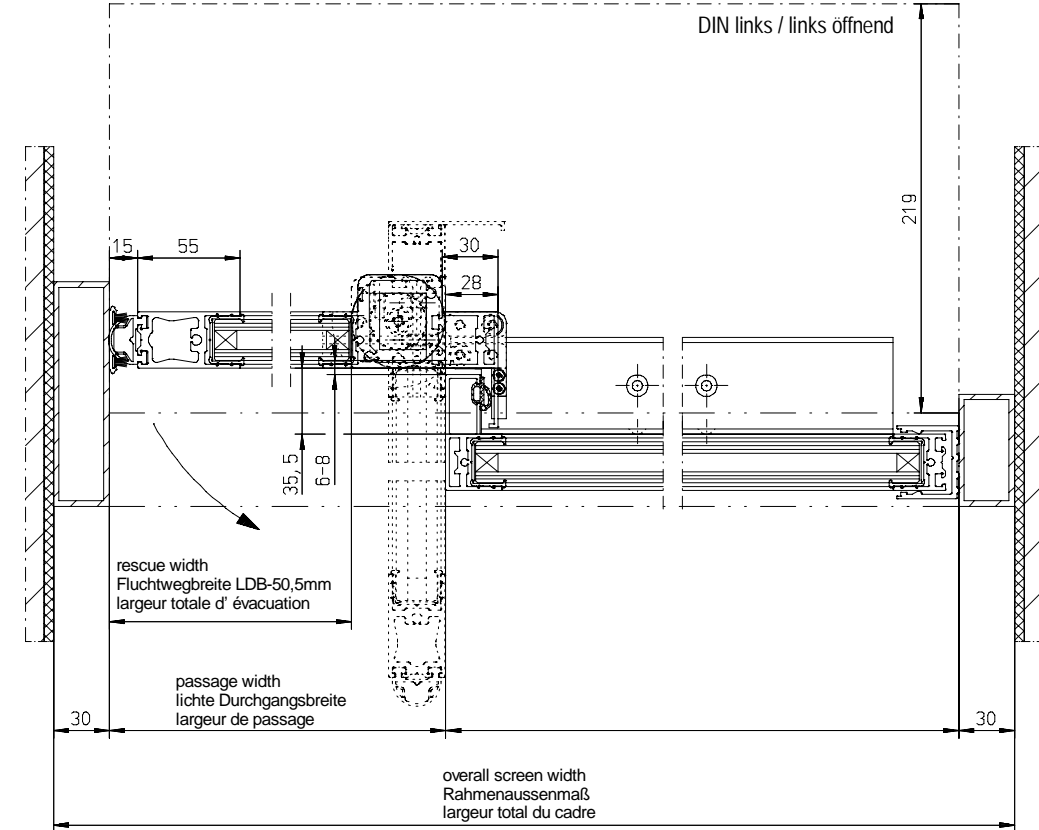
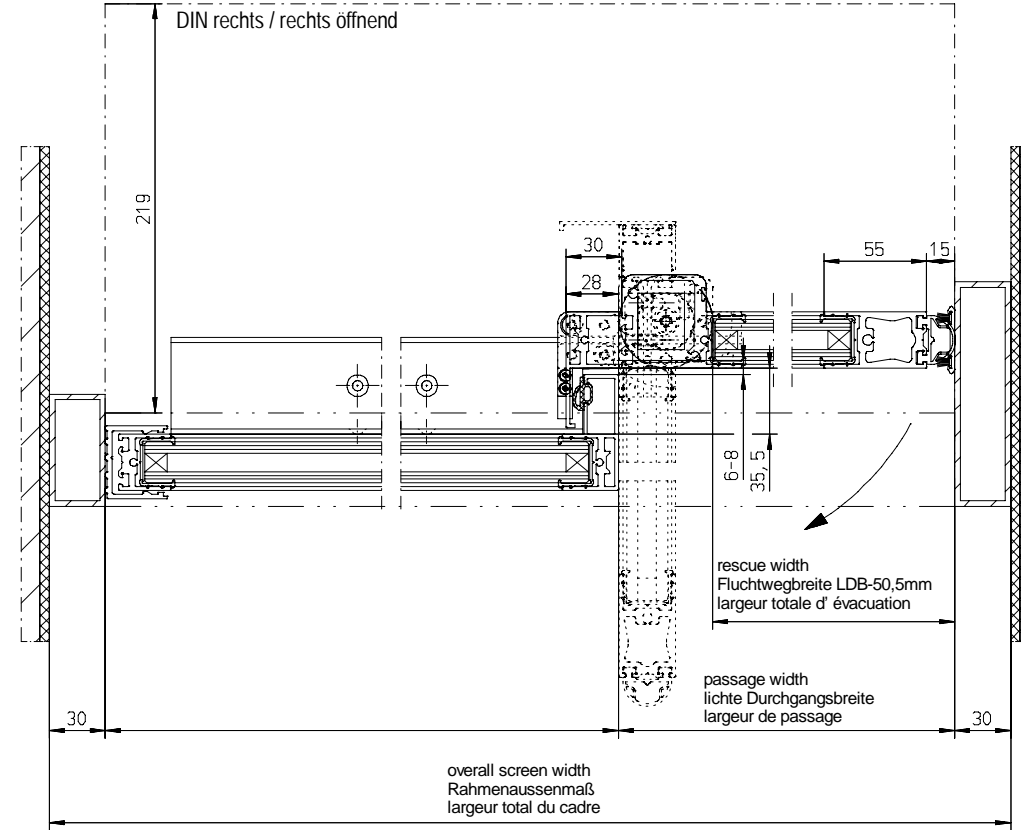


B - B

B - B

cover / Antriebsverkleidung / capot

cover / Antriebsverkleidung / capot



OKFF
FFL
SOL FINI

Surface treatment	Material	Scale		
Tolerance	Mass Weight	Part No.	Date	Name
		HM-F-FI-ST	Edt.	06/12/2010
Type	Norm	Replaces	Replaces by	
Proprietary rights apply in accordance with ISO 10076				
GU GU Automatic GmbH www.gu-automatic.com	Description -Profilsystem G30- 1-flügelig -Profile system G30- 1 daar leaf	Level	Revised	Date
	Drawing No. A-9904120-1	Sheet		1