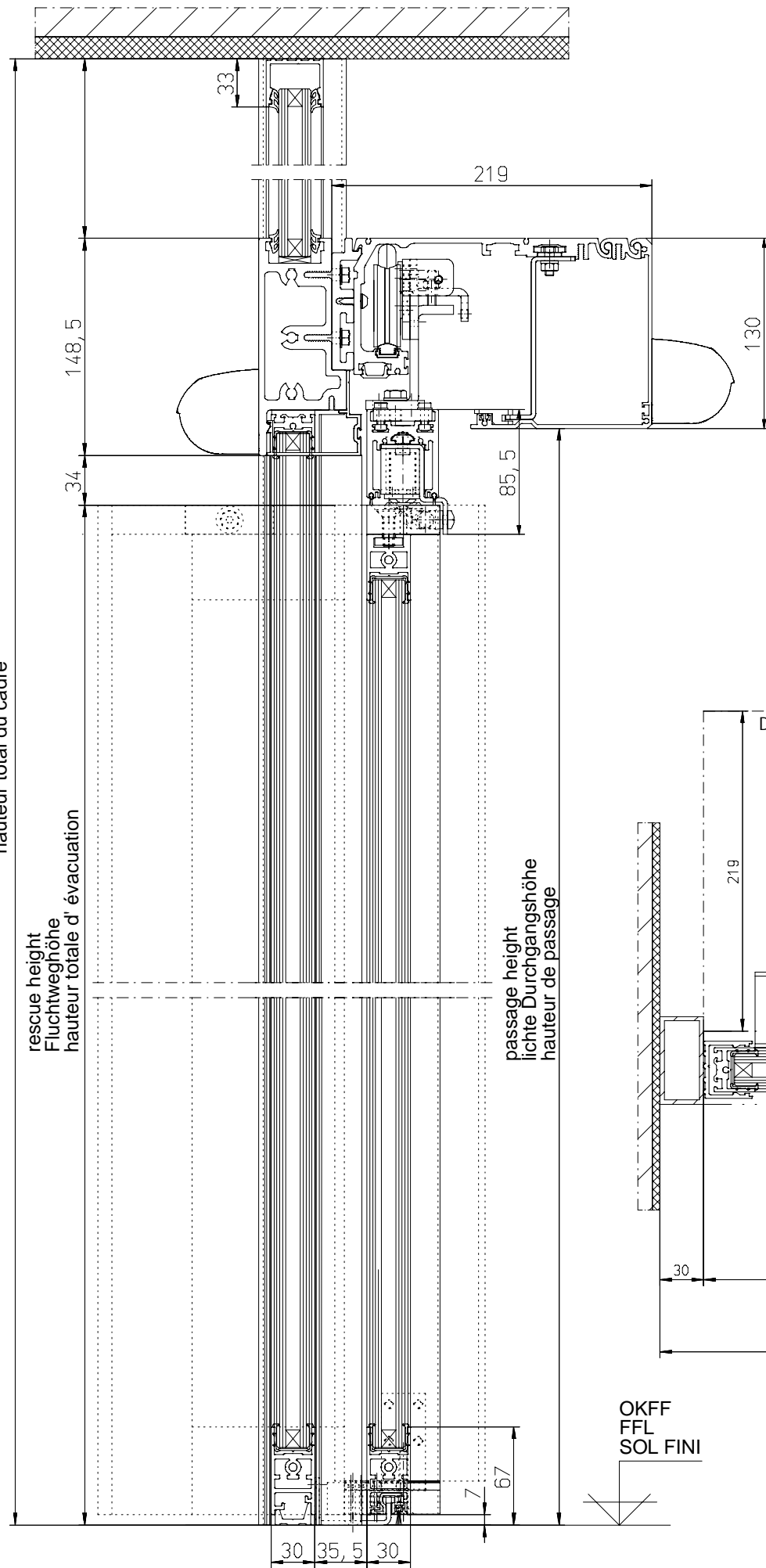
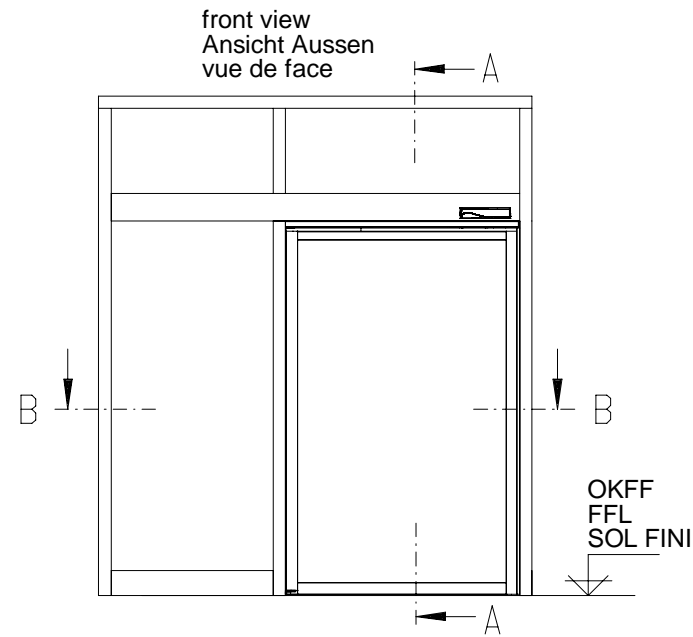


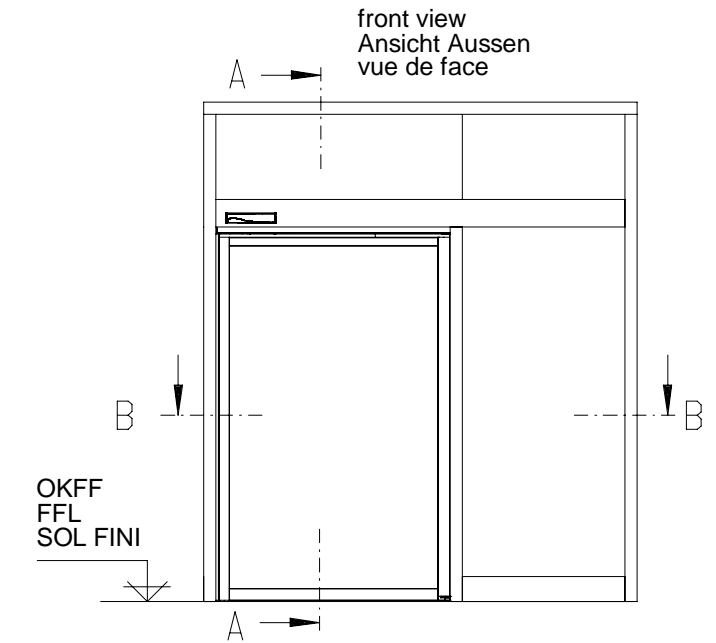
A - A



DIN rechts / rechts öffnend



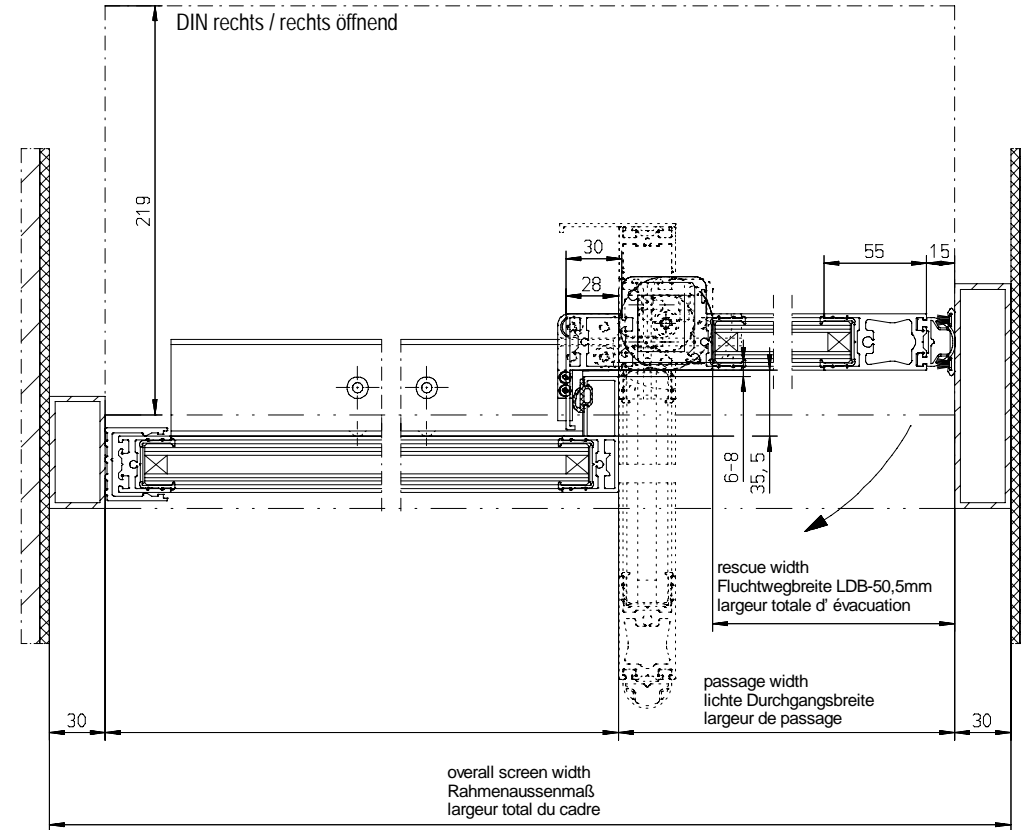
DIN links / links öffnend



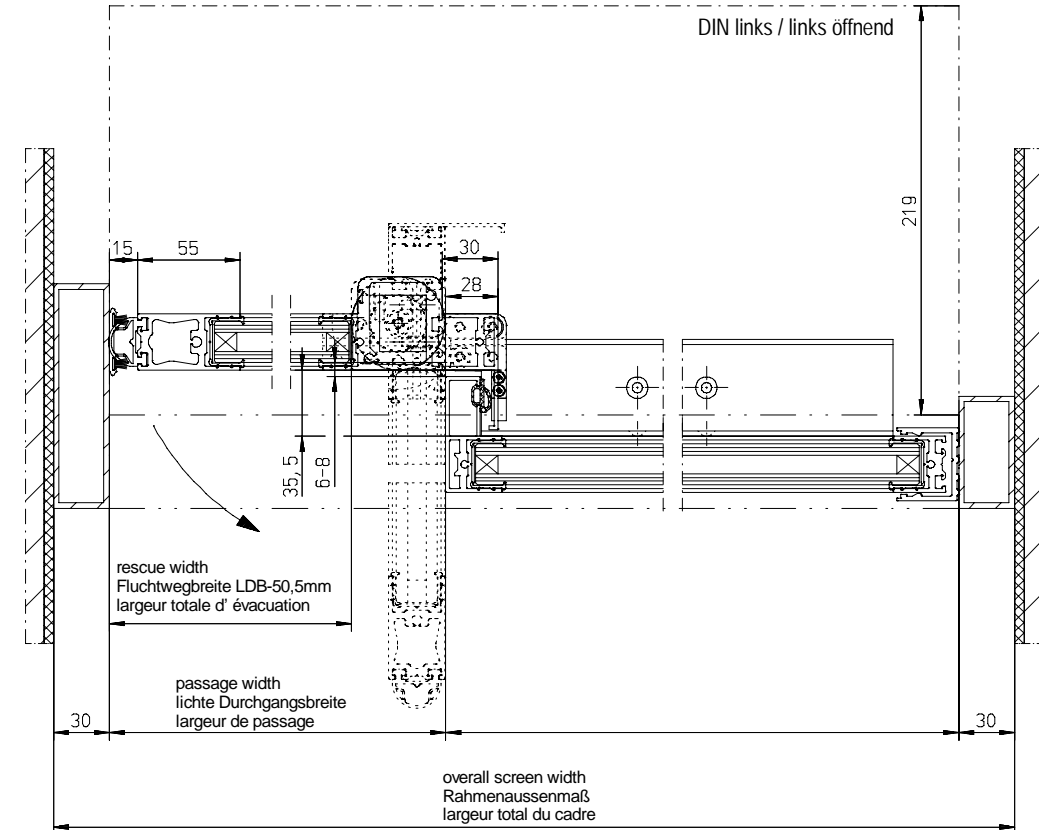
B - B

B - B

cover / Antriebsverkleidung / capot



cover / Antriebsverkleidung / capot



OKFF  
FFL  
SOL FINI

Surface treatment	Material	Scale		
Tolerance	Mass Weight (kg)	Part No.	Date	Name
		HM-F-FI-ST-OL	08.11.2020	Jankar
Type	Proprietary rights apply in accordance with ISO 10076	Release form	Release by	
	Description	Level	Revised	Date
	-Profilsystem G30- 1-flügelig	Drawing No.		
	-Profile system G30- 1 daar leaf	A-9904130-1		
		Sheet		
		1		