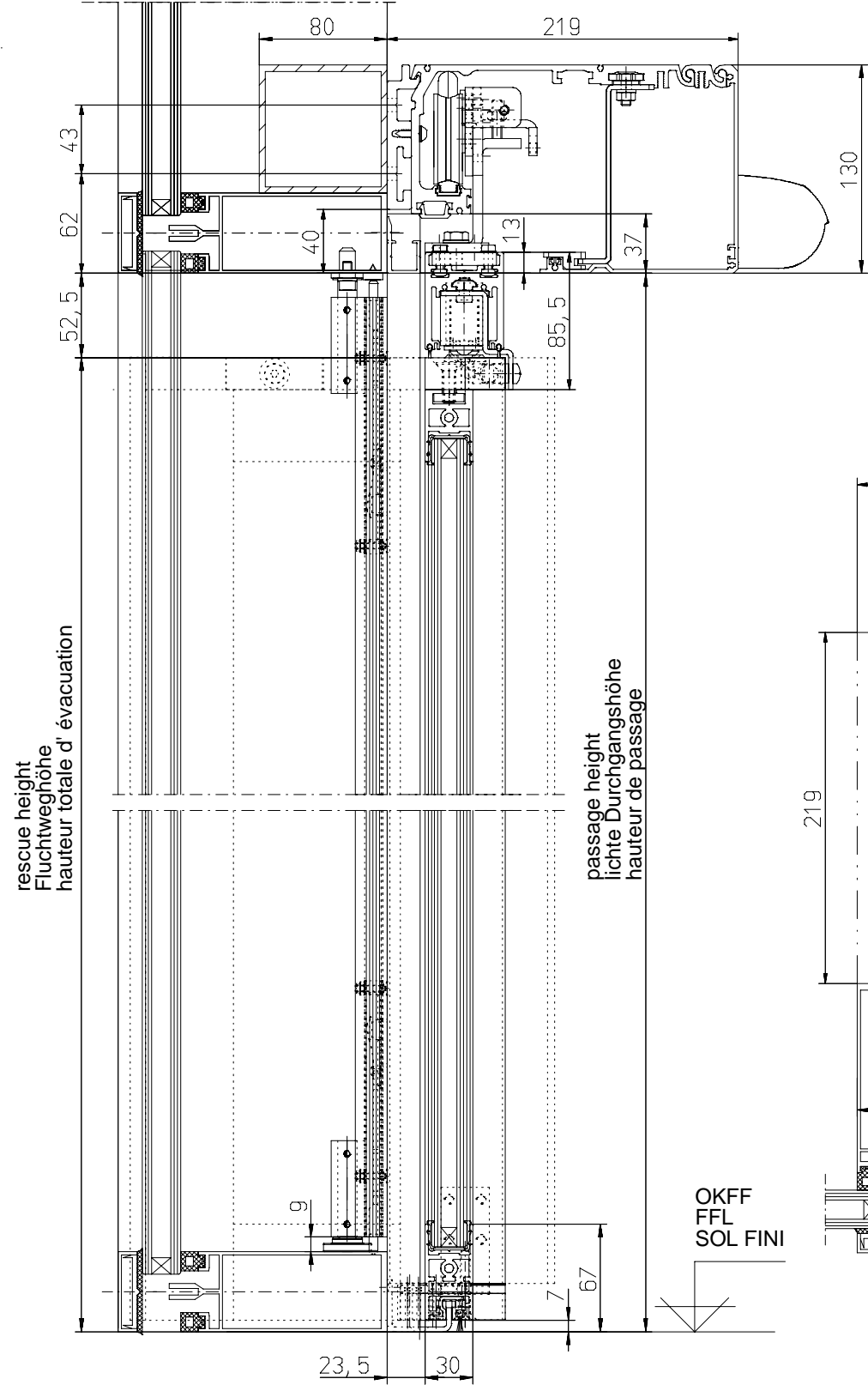
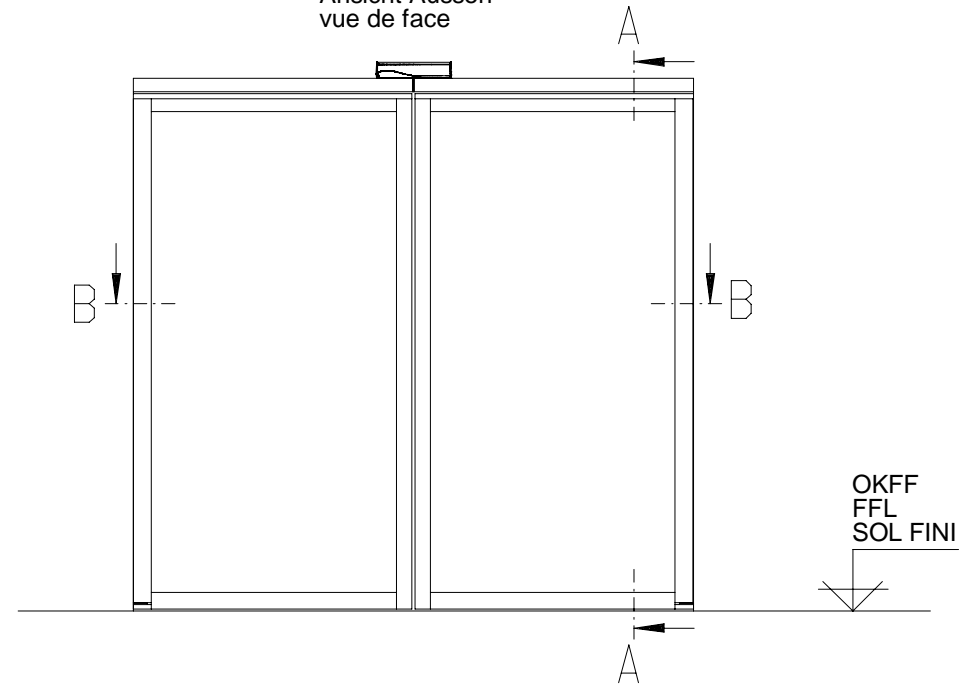


A - A

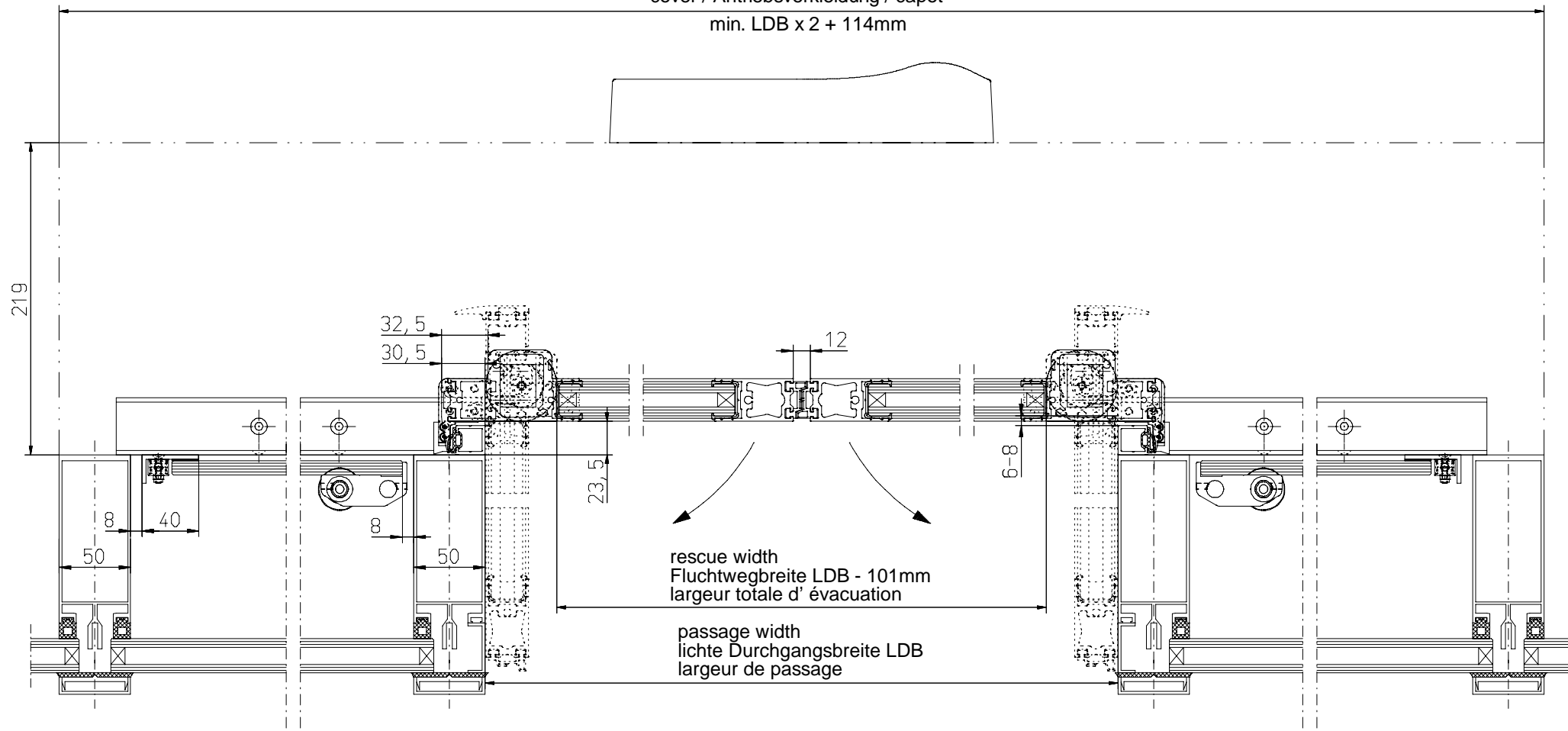


front view
Ansicht Aussen
vue de face



B - B

cover / Antriebsverkleidung / capot
min. LDB x 2 + 114mm



Surface treatment	Material	Scale		
Tolerance	Mass Weight (kg)	Part No.	Date	Name
		HM-F-FI-PR-SF	19.11.2020	Jankar
Type	Norm	Release form	Release by	
Proprietary rights apply in accordance with ISO 10076				
GU GU Automotive GmbH www.gu-automotive.com	Description -Profilsystem G30- 2-flügelig -Profile system G30- 2 door leaves	Level	Revised	Date
				Sheet A-9904.060 1